

Security Screen Door Hardware



Whitco[®]
SECURING YOUR HOME™

10YEAR MECHANICAL WARRANTY

whitco.com.au

Contents



Leichhardt

Sliding Security
Screen Door Lock

page 1



Tasman MK2

Security Door Lock

page 3



Tasman Escape

Security Door Lock

page 5



Cylinder

Euro Profile Lazy Cam

page 8



Safety Lock

page 9



Bass

Sliding Screen Door Latch

page 10



Screen Door Latch

page 12



Pneumatic Screen Door Closer MK2

page 13



Screen Door Hinges

page 14



Sliding Screen Door Roller

page 16

Leichhardt Sliding Security Screen Door Lock

Application/Description

Single & Multi point mortice sliding security door lock

Features and Specifications

- Suits either Left or Right hand closing sliding doors
- Parrot beak deadlock
- Key deadlock from both sides
- Self latching
- Inside snib
- Key overrides snib operation
- Accepts Whitco Euro profile lazy cam cylinder locks
- Can only be key locked or snibbed when fully latched with striker
- Optional Multi Point kits available for 2 and 3 point applications
- Zinc diecast furniture and locking mechanism
- Steel zinc plated cover plate

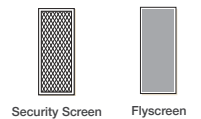
Available in Display and Trade Packs.

Keying

- Use with Whitco Euro profile lazy cam cylinder locks
- 2 x 5 pin cylinder lock
- 2 x 10 disc cylinder lock

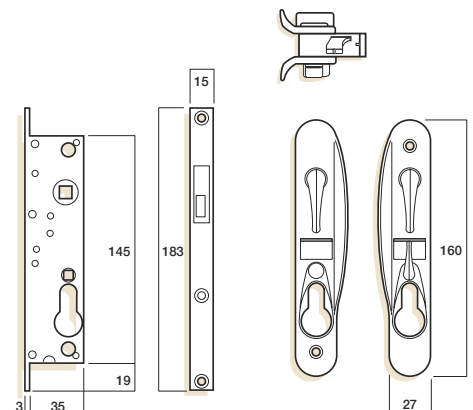


Aluminium

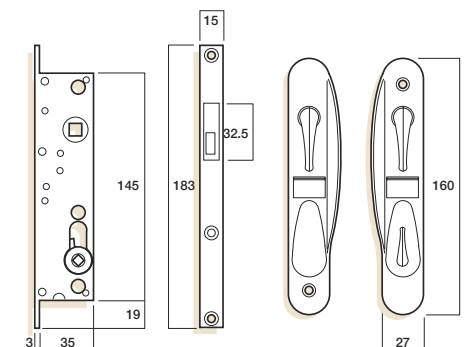


Ordering	
Display Pack	
Standard striker, furniture no cylinder centre lock, screws	W8679••
Trade Pack - Standard	
Centre lock furniture, Standard parrot beak bolt and strike, inside snib, no cylinder – Single point lock Mechanism, suits standard 20 mm doors	W866717
Furniture with extended lever and snib – Single point lock mechanism, suits 30 mm door thickness	W8669••
Furniture, standard Parrot beak bolt & strike, inside snib, no cylinder – to suit multi point kits	W8653••
Furniture, snib inside only - mechanism, Standard strike, No cylinder (right hand)	W866417
(left hand)	W866517
Dummy Pull set – Internal and external pull	W866617

•• Denotes finish. See price list for available pack / finish combinations



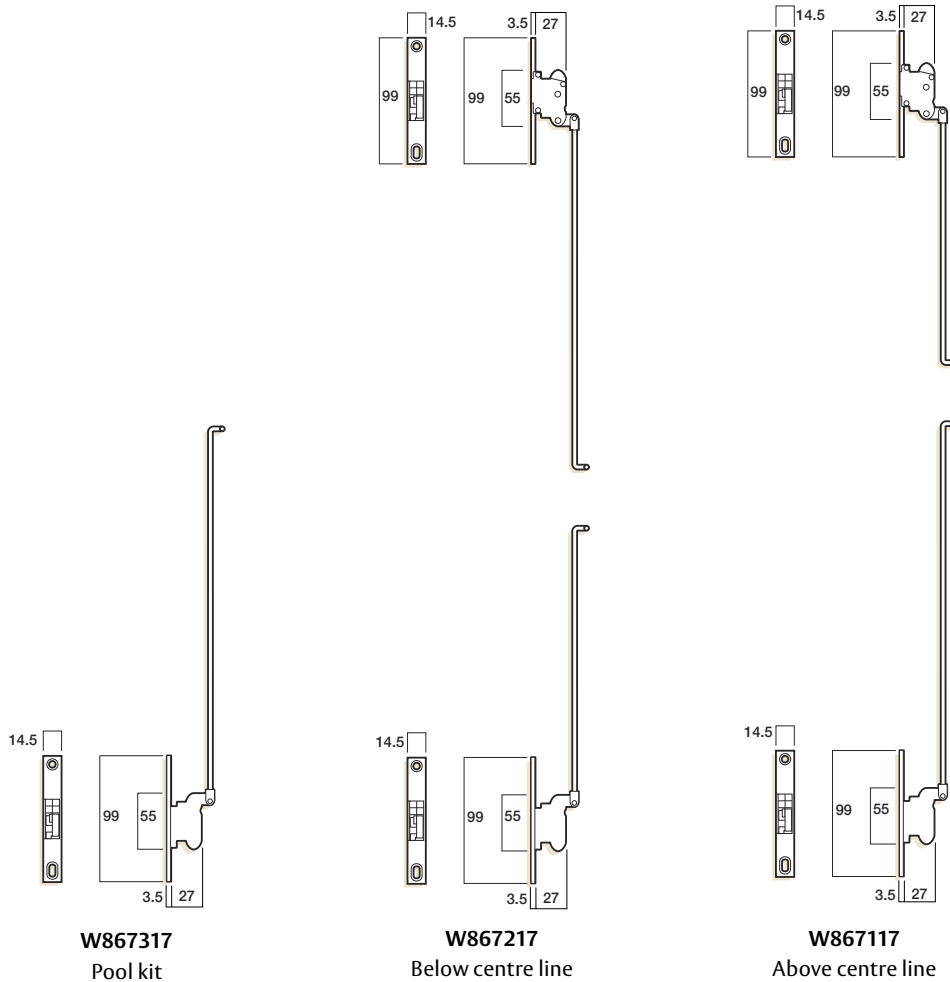
Cylinder locking



Snib locking



Leichhardt Sliding Security Screen Door Lock



Accessories

Standard centre lock keeper

Zinc diecast, Zinc plated W868101

Wideline Keeper

Suits Wideline section / Zinc diecast, Zinc plated W866801

Multi point kit - 3 point

3 point lock kit including rods, two auxiliary locks, keeper & screws, suits door height up to 2040 mm

Above centre line kit W867117

Below centre line kit W867217

Multi point kit - 2 point

2 point lock kit including rod, auxiliary lock,

Keeper and screws, 1 mm W867317

Suitable for doors accessing pool area. Where centre lock is at least 1,500 mm above Floor

Standard Finishes

Brown 13	DP	TP
White 16	DP	TP
Black 17	DP	TP
Primrose 19		TP
Magnolia 24		TP

Non Standard Finishes

Other polyester powder coat finishes available on application.

•• Denotes finish. See price list for available pack / finish combinations

Tasman MK2 Security Door Lock

Application/Description

Single or Multi point hinged security or screen door lock.

Features and Specifications

- Contemporary styled furniture
- Non handed furniture - suits left-hand and right-hand doors
- Serrated locking bolt provides extra grip against forced entry
- 3 point kits for additional security available
- Fits industry standard cut outs
- Retrofits previous Whitco Tasman lock
- Zinc diecast lock mechanism and furniture
- Easy installation
- Suits either left or right hand opening hinged security and screen doors
- Mortice lock with inside snib
- Key overrides snib
- Automatic latching
- Accepts Whitco Euro profile lazy cam cylinder
- Suit standard 20 mm door thickness
- Stainless steel strikes

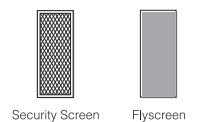
Available in Trade Pack only.



Keying

- Use with Whitco Euro profile lazy cam cylinder locks
- 2 x 5 pin cylinder
- 2 x 10 disc cylinder

Aluminium Steel

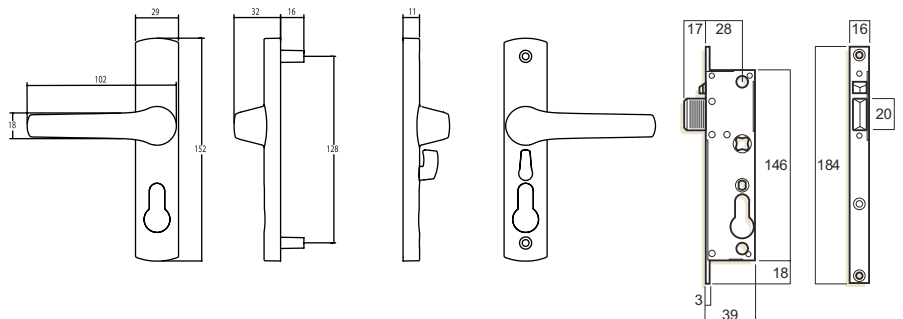


Standard Finishes

White 16	TP
Black 17	TP
Primrose 19	TP

Non Standard Finishes

Not available in other finishes.



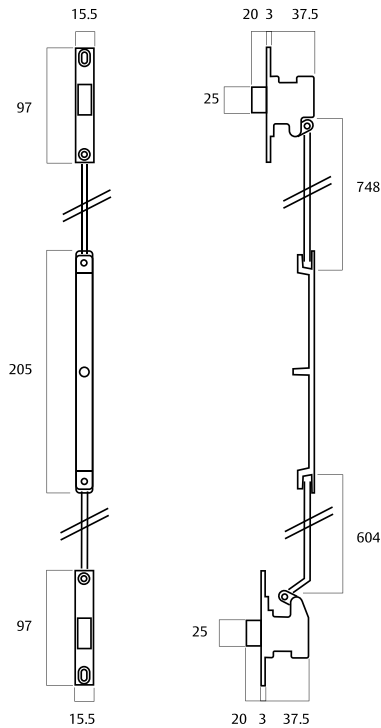
Tasman MK2 Multi Point Lock Accessory Kits

Accessories

Single or Multi point hinged security or screen door lock

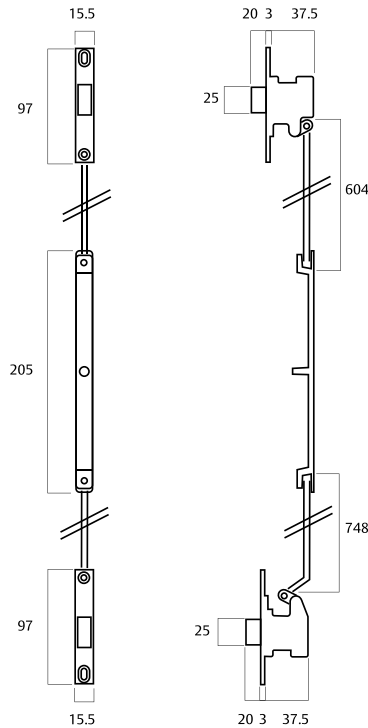
Standard Multi Point Kit (below centre line kit)

W893117



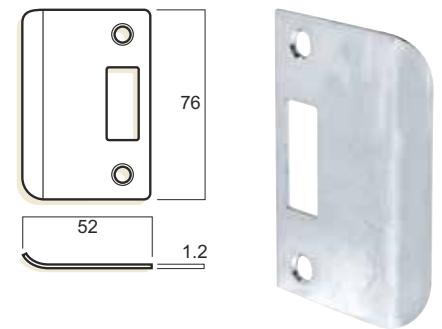
Reversed Multi Point Kit (above centre line kit)

W893217



Extra Width Strike (Stainless steel)

W844500



Ordering

Trade Pack

Lockbody, standard strike, furniture, screws, and no cylinder W892117

Accessories

Standard Multi Point Kit Auxiliary Locks, Rods, Standard Strikes W893117

Reversed Multi Point Kit Auxiliary Locks, Rods, Standard Strikes W893217

Extra Width Strike W844500

Tasman Escape Security Door Lock

Application / Description

Emergency escape hinged security or screen door lock. Free to exit at all times.

Features and Specifications

The lock status indicator positioned above the cylinder provides visual indication of the lock's status. In the vertical position the indicator shows that the Tasman Escape is unlocked. In the 45 position the indicator shows that the Tasman Escape is locked from the outside.

- Easy installation with pre-assembled handles
- Patented anti-jemmy serrated locking bolt
- Fits industry standard cut outs
- Suits standard 20 mm door thickness
- Retrofits previous Whitco Tasman Lock
- Suits either left or right hand opening hinged security and screen doors
- Automatic latching
- Contemporary styled handles
- Stainless steel strike
- High performance lock conforms to the relevant requirements of Australian Standards AS4145.2 - 2008 to physical security level S7 and durability level D8
- Successfully tested on security screen doors in accordance with Australian Standard AS5039 - 2003: Security Screen Doors and Security Window Grills and AS5041 - 2003: Methods of Test
- Available with optional 3 point kit - see next page

Available in Trade Pack only.

Keying

- Use with Whitco euro profile lazy cam cylinder locks
- 2 x 5 pin non handed cylinder and turnknob

Standard Finishes

Silver 11	TP
Brown 13	TP
White 16	TP
Black 17	TP
Primrose 19	TP

Non Standard Finishes

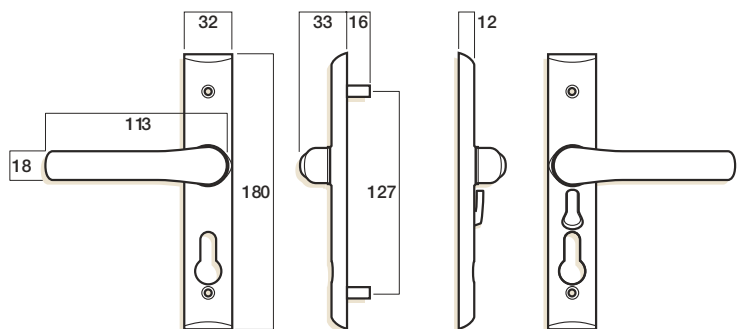
Other polyester powder coat finishes available on application.



Aluminium Steel



Security Screen

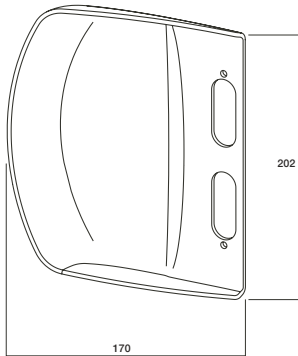


Tasman Escape Security Door Lock

Accessories

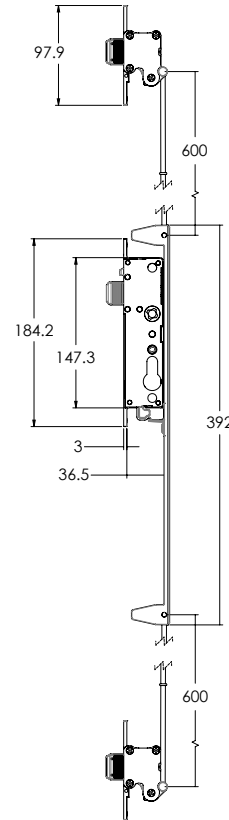
Security Door Lock Guard
(Black)
(Natural)

W809017
W809000



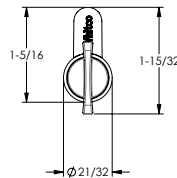
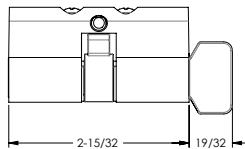
Tasman Escape Security and Screen 3 Point Door Lock
Tasman Escape 3pt kit

W807317



Non Handed Cylinder with Turnknob
(KD, Bright Chrome)
(2 X KA, Bright Chrome)

W845900
W845902



Ordering

Trade Pack

Lockbody, standard strike, furniture, screws, and no cylinder **W8070••**

Accessories

Tasman Escape 3pt kit **W807317**

Security Door Lock Guard (Natural) **W809000**

Security Door Lock Guard (Black) **W809017**

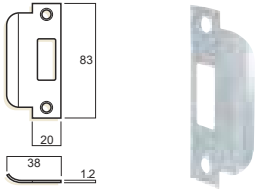
Non Handed Cylinder with Turnknob, (KD, Bright Chrome) **W845900**

Non Handed Cylinder with Turnknob, (2 x KA, Bright Chrome) **W845902**

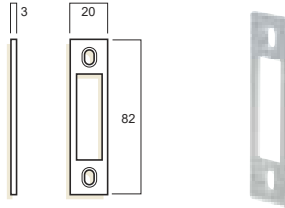
•• Denotes finish. See price list for available pack/finish combinations

Accessories

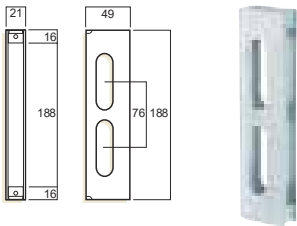
Standard (Stainless steel)
W804000



Strike Packer (Zinc diecast)
W844100



Lock cage
W841100



Cylinder – Euro Profile Lazy Cam

Application / Description

Cylinder to suit Whitco Leichhardt, Tasman and Tasman Escape security screen door locks.

Features and Specifications

- Available in Bright Chrome
- Double cylinder, C4 key profile
- Brass and zinc diecast construction
- Made to Whitco specifications

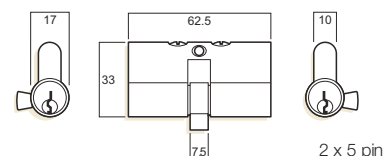
Available in Display and Trade Packs.

Keying

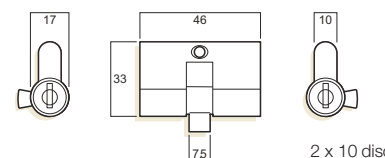
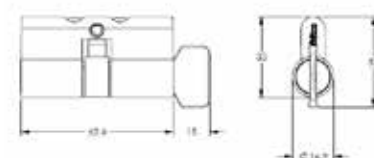
Two Whitco chrome plated brass keys included

Two versions available:

- 2 x 5 pin, C4 key profile cylinder lock, can be keyed alike to other Whitco 5 pin C4 cylinder locks
- 2 x 10 disc, profile cylinder locks



2 x 5 pin



2 x 10 disc

Standard Finishes

Bright Chrome DP TP

Non Standard Finishes

Not available in other finishes.

Ordering

Display Pack Double Cylinder		Turnknob & 5 Pin	
2 x 5 Pin with screw	W840700	Random Keyed with Non-handed Turnknob & 5 Pin	W845900
2 x 10 Disc with screw	W840800	2 Keyed Alike with Non-handed Turnknob & 5 Pin	W845902
Trade Pack 2 x 5 Pin / Double Cylinder			
Random Keyed	W841200	2 x 10 Disc / Double Cylinder	
2 Keyed Alike	W842200	Single Random Keyed	W841400
3 Keyed Alike	W842300	2 Keyed Alike	W843200
4 Keyed Alike	W842400	3 Keyed Alike	W843300
10 Keyed Alike	W842500	4 Keyed Alike	W843400
10 Keyed Alike - Gold Plated	W842502	10 Keyed Alike	W843500
20 Keyed Alike	W842600	20 Keyed Alike	W843600
50 Keyed Alike	W842800		

Use in

Whitco Leichhardt Sliding Security Screen Door Lock

Whitco Tasman Hinged Security Screen Door Lock

Whitco Tasman Escape Hinged Security Screen Door Lock

Safety Lock

Application / Description

Keyed hinged screen door lock.

Features and Specifications

- Suits either left or right hand opening hinged screen doors – reversible latch bolt to suit inward or outward opening doors
- Surface mounted lock
- Key lock from inside or outside
- Zinc diecast construction
- Suits standard 20 mm door thickness

Available in Display and Trade Packs.

Keying

- 10 disc integral barrel
- Two Whitco chrome plated brass keys



Ordering

Display Pack

Lock and Strike with Screws W8505••

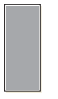
Trade Pack

Single Pack W850117

•• Denotes finish. Choose required finish from list below, then add to product code.

Aluminium

Timber

 Flyscreen

Standard Finishes

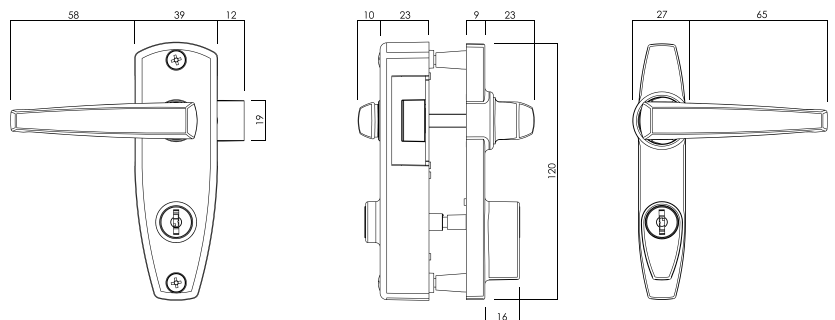
Brown 13	DP
Black 17	DP TP

Non Standard Finishes

Not available in other finishes.

Accessories

No accessories are available for this product.



Bass Sliding Screen Door Latch

Application/Description

Sliding screen door latch.

Features and Specifications

- Suits either Left or Right hand closing sliding doors
- Parrot beak latch
- Surface mounted
- Can be latched from inside or outside
- Slim low stand-off design
- Zinc die cast handle
- Galvanised steel lock plate and strike
- Available without lugs

Available in Trade Pack Only.

Standard Finishes

Black 17

TP

Non Standard Finishes

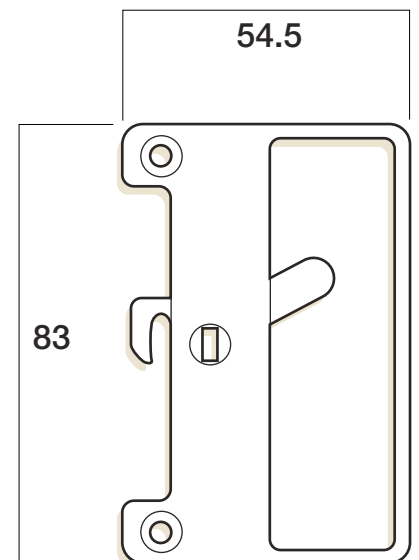
Not available in other finishes.



Aluminium Timber



Flyscreen

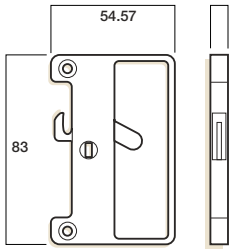


Ordering

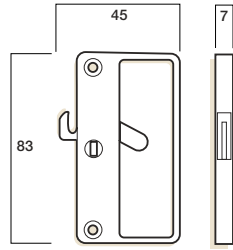
Trade Pack

Standard strike, standard body and outer pull	W821317
Standard strike, standard body, finger plate and outer pull	W821417
Standard strike, no lugs body and no outer pull	W821717

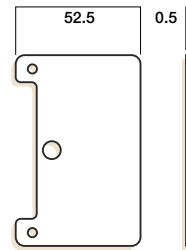
Bass Sliding Screen Door Latch



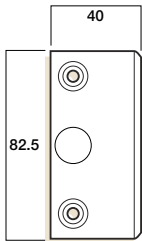
Standard Body **W821517**



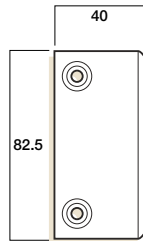
No lug body **W821717**



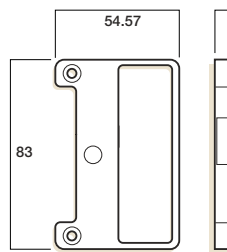
Finger Plate **W822317**



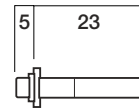
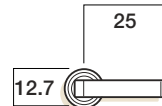
Outer pull with hole



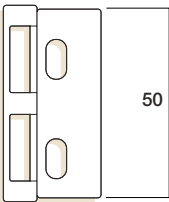
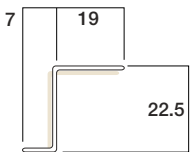
No hole outer pull **W822717**



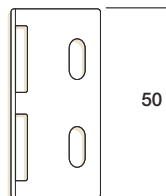
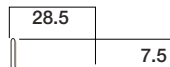
Dummy body **W824017**
(Sold in packs of 600)



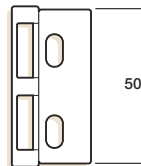
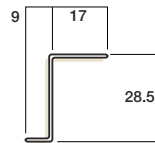
Snib



Standard strike



Bi-part strike **W822417**



Stegbar strike **W822617**

Screen Door Latch

Application / Description

Hinged screen door latch.

Features and Specifications

- Suits either left or right hand opening hinged screen doors
- Surface mounted latch
- Inside snib
- Maximum door thickness 25 mm
- Zinc die cast construction with steel strike

Ordering	
Display Pack	W8203••
Trade Pack	W8201••

•• Denotes finish. Choose required finish from list below, then add to product code.

Available in Display and Trade Packs.

Standard Finishes		
Silver 11	DP	TP
Brown 13	DP	TP
Black 17	DP	TP

Non Standard Finishes

Not available in other finishes.

Accessories

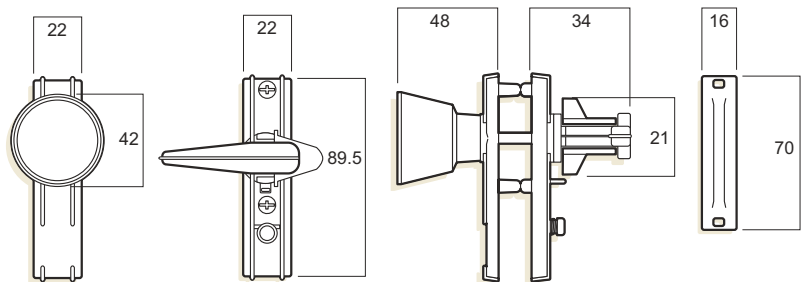
No accessories are available for this product.



Aluminium Timber



Flyscreen



Pneumatic Screen Door Closer MK2

Application / Description

- Hinged screen and security screen doors
- Non Handed suits both LH and RH
- Opening out doors

Performance

Suitable for screen door or security up to 21 Kgs.

Features and Specifications

- Smooth pneumatic operation
- Adjustable closing speed
- Hold open bracket
- Tough aluminium body
- UV resistant ABS polymer
- Durability tested beyond 50,000 cycles
- Max opening angle 100Deg
- Piston rod retainer bracket



Ordering

Display Pack	W8107••
Trade Pack	W8105••

•• Denotes finish. Choose required finish from list below, then add to product code.

Available in Display and Trade Packs.

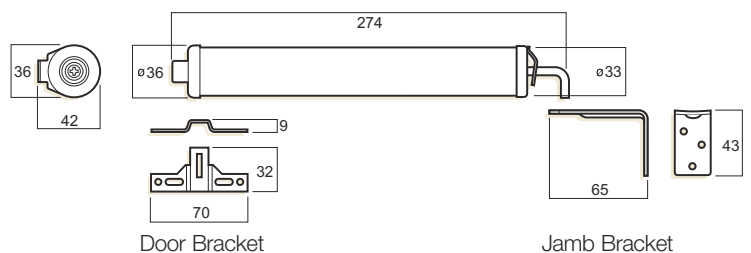
Standard Finishes

Silver 11	DP	TP
White 16	DP	TP
Black 17	DP	TP
Gold Spangle 18	DP	TP
Primrose 19	DP	TP
Ranch Brown 25	DP	
Stone Beige 28		TP
White Birch 41		TP

12 month manufacturers warranty.
Please refer to Whitco's Warranty card at whitco.com.au to find out more information .

Aluminium

Timber



Screen Door Hinges

Application / Description

Steel hinges specifically designed for aluminium security screen doors.

Features and Specifications

- Steel construction with stainless steel fixed pin
- Door leaf sits over lip on edge of door style for added security
- Safety prong version increases door security when closed by making door captive even if pin is removed
- Step-over version with added fixing points

Standard Finishes

Galvanised 01	TP
Silver 11	TP
Brown 13	TP
Pottery 14	TP
White 16	DP TP
Black 17	DP TP
Gold Spangle 18	TP
Primrose 19	DP TP
Hawthorn Green 20	TP
Doeskin 23	TP
Magnolia 24	TP
Stone Beige 28	TP
White Birch 41	TP

Non Standard Finishes

Other finishes available on application.

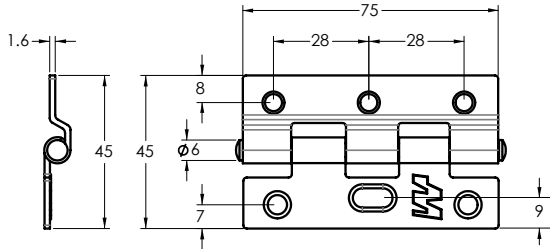


 Aluminium

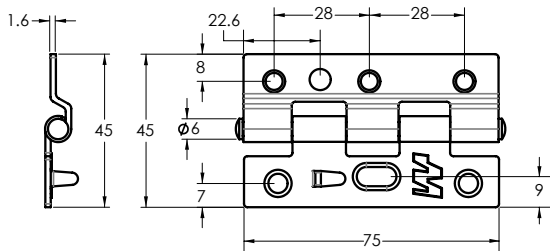


Security Screen

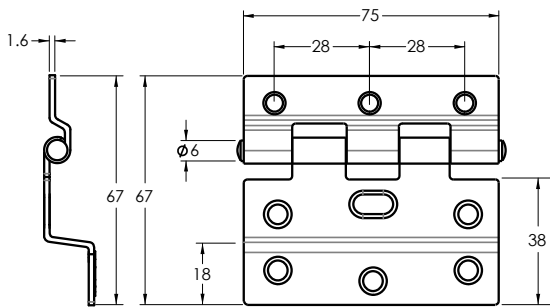
Screen Door Hinges



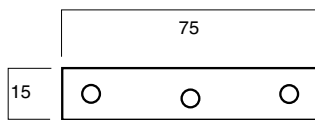
W831411



W831611



W831817



W831501

Ordering

Trade Pack

Steel Fixed Pin	W8314••
Steel Fixed Pin with Safety Prong	W8316••
Steel Fixed Pin Step Over Version	W831817

Display Pack

Steel Fixed Pin (pack of 3)	W8312••
-----------------------------	---------

Accessories

Packer

Zinc plated 0.8mm steel packer	W831501
--------------------------------	---------

•• Denotes finish. See price list for available pack/ finish combinations

Sliding Screen Door Roller

Application/Description

Sliding Screen and Sliding Security screen doors.

Features and Specifications

- 'Speed Fit' applicator lugs
- Offset wheel function*
- Fully adjustable under load
- Spring Loaded
- Large 11mm adjustment
- Adjustable from both sides
- Quick insert rim
- Inner case will not dislodge
- A + B identification for offset applications
- Retrofits existing rollers
- Suits both top and bottom rails

Available in Trade Pack Only.

Standard Finishes

Black 17 TP

Non Standard Finishes

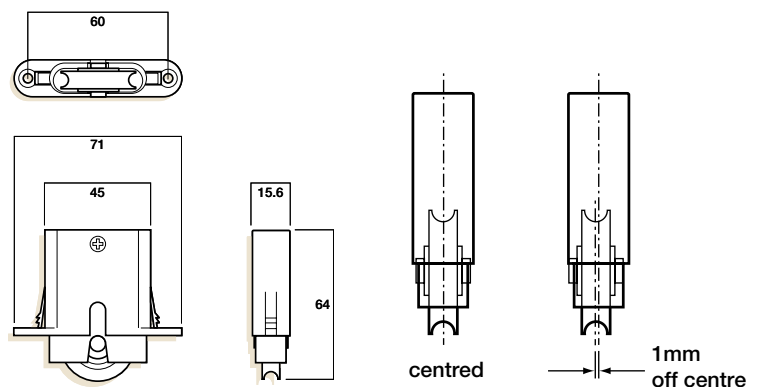
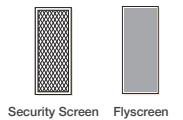
Not available in other finishes.

Accessories

No accessories are available.



Aluminium



*Offset Wheel Function

To offset the door in order to reduce scraping or clashing with another door panel simply remove only the roller from the unit, rotate it 180 degrees, then replace it back into the unit. This will offset the panel or door 1mm.

Note. If the offset is incorrectly placed remove the entire unit, rotate it 180 degrees and then replace the entire unit.

Ordering

Trade Pack

Spring Loaded W862600

Whitco[®]

Whitco protects millions of Australian homes and offers the largest range of security and hardware products for residential doors and windows in Australia. With our proud heritage, and by offering a wide variety of locks at affordable prices, Whitco has become one of Australia's most trusted brands.

The Whitco brand is an integral part of ASSA ABLOY Australia Pty Limited, the market leader in the lock and security products industry in Australia.

ASSA ABLOY

ASSA ABLOY is the global leader in door opening solutions, dedicated to satisfying end-user needs for security, safety and convenience.

ASSA ABLOY is represented in all major regions, in both mature and emerging markets, with leading positions in Australia, Europe and North America.

As the world's leading lock group, ASSA ABLOY offers a more complete product range of door opening solutions than any other company in the market.

Australia
1300 LOCK UP (1300 562 587)
whitco.com.au

New Zealand
Telephone +64 94157111
assaabloy.co.nz

ASSA ABLOY Australia Pty Ltd
235 Huntingdale Road
Oakleigh, Victoria, 3166
Australia

info.au@assaabloy.com
assaabloy.com.au

ASSA ABLOY New Zealand Ltd
6 Armstrong Road
Albany, North Shore City, 0632
New Zealand

info.nz@assaabloy.com
assaabloy.co.nz

An ASSA ABLOY Group brand

Disclaimer
Whilst every effort has been made to ensure that the information contained in this brochure is accurate at the time of publication, ASSA ABLOY Australia Pty Limited ("ASSA ABLOY") recommends that you consult ASSA ABLOY or its agents prior to placing an order to ascertain current information on specific products, as ASSA ABLOY reserves the right to make any changes without notice. ASSA ABLOY will not be liable for any injury, loss or damage whatsoever, arising from any errors or omissions in the information contained in the brochure or arising from the use or application of the information contained herein.